



IMPACT 230

Compact forward/reverse vibratory plate

The IMPACT 230 is a compact forward/reverse vibratory plate with excellent compaction data. Speed and compaction depth are regulated seamlessly via hydraulic servo control of the eccentric element. This gives the plate smooth motion and makes it very easy to operate. All-round plates for compaction work close to piles and concrete bases. Perfect for floor filling and foundations as well as backfill in pipe trenches.

IMPACT 230 is an ideal plate for compacting sand and gravel in cable and pipe trenches, foundation work, road repairs, etc.

Features and benefits

- Lifelong lubricated bearings for extended service life.
- Exciter bearing design requires minimal maintenance for improved productivity.
- Strong V-belt cover.
- 30 kN eccentric element.
- Convenient single lifting point.
- Standard engine: Honda 4-stroke or Hatz Diesel.
- Engine with oil alert on all models.
- Option: electric start.
- Low hand vibration handle.

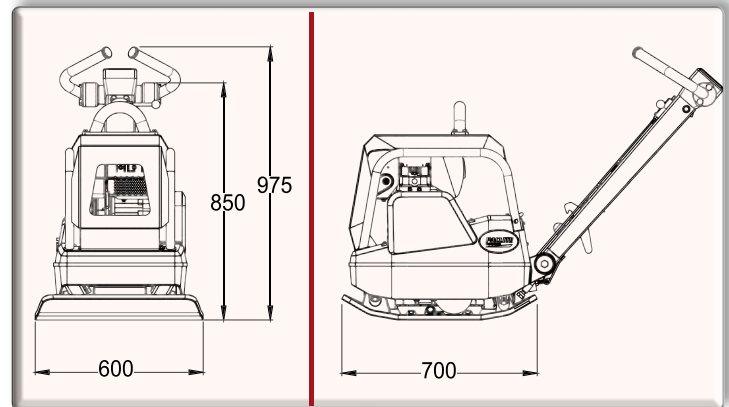


Powered by



POWERED BY
HONDA
norm SAE J1349

Moulded bottom plate



ELECTRIC MODEL



Electric starter box integrated on handle

Model Code	IMPACT230		
	IMP200H	IMP200D	IMP200DE
Engine	Honda GX270	Hatz 1B20	Hatz 1B20
Plate dimensions L x W (mm)	700 x 500	700 x 500	700 x 500
Operating weight (kg)	217	230	238
Centrifugal force (kN)	30	30	30
Operating speed (m/min)	21	21	21
Compacted area (m ² /h)	700	630	630
Frequency (Hz)	90	90	90
Engine power hp (kW)	8,5 (6,3)	4,6 (3,5)	4,6 (3,5)
Start	Manual	Manual	Electric
Vibrations* m/sec ² /utilisation (hrs)	3,5/4,33	3,5/4,33	3,5/4,33

* Minimum vibration levels measured to EN500-4