



H I G H S P E C • H I G H V A L U E • H I G H S T A N D A R D S

# AB38N

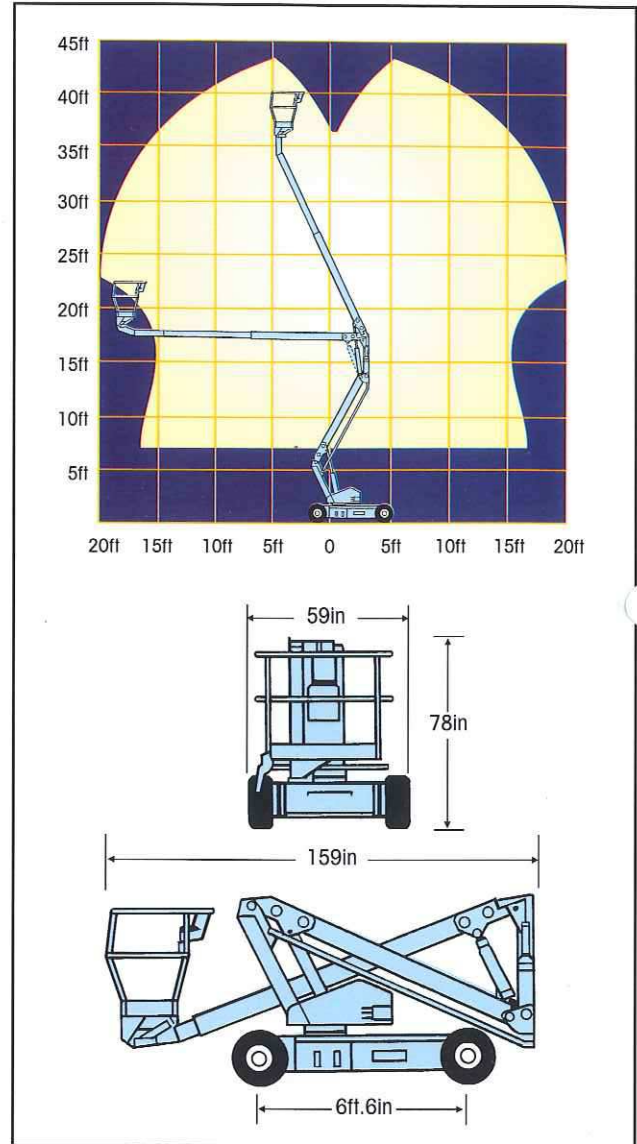
## SELF PROPELLED BOOM LIFT

- 43ft.7in. max. work height
- 18ft.4in. horizontal outreach
- Compact dimensions - just 4ft.11in. wide
- 16 in. inside turning radius
- 8,822 lbs. gross weight
- Direct electric drive
- One-hand proportional joystick control
- 5 year structural warranty

# UpRight

# A B 3 8 N   S P E C I F I C A T I O N

MAXIMUM WORKING HEIGHT	43ft. 7in./13.50m
MAXIMUM PLATFORM HEIGHT	37ft. 7in./11.45m
MAXIMUM WORKING OUTREACH	20ft. 1in./6.10m
CLEARANCE HEIGHT AT MAX. OUTREACH	18ft. 4in./5.40m
PLATFORM CAPACITY	475lbs./215kg
PLATFORM DIMENSIONS	41in.x22in./1.03m x 0.55m
OVERALL WIDTH	4ft. 11in./1.50m
OVERALL LENGTH	13ft. 3in./4.04m
STOWED HEIGHT	78in./1.99m
INSIDE TURNING RADIUS	16in./0.4m
OUTSIDE TURNING RADIUS	7ft. 10in./2.4m
GROUND CLEARANCE	6in./150mm
WEIGHT (ANSI version)	8,822lbs./4010kg
DRIVE SPEED STOWED	2.4mph/4kmh
DRIVE SPEED ELEVATED	0.4mph/0.7kmh
GRADEABILITY	36%
POWER SOURCE	48V DC
CONTROLS	ONE-HAND PROPORTIONAL JOYSTICK



Continuous A-weighted sound pressure level at workstation does not exceed 70dB(A)

## STANDARD FEATURES

- Proportional one-hand joystick control
- Minimal front boom overhang
- Ultra-tight inside turn radius
- Tilt alarm
- Large, two person platform
- Direct DC drive parallel wired wheel motors
- Solid puncture-proof tyres
- Duplicate boom controls at ground level
- Self-seeking automatic battery charger with line contactor allowing AC/DC operation
- Meets or exceeds requirements of OSHA and ANSI A92.5

## OPTIONAL EXTRAS

- White non-marking tyres



Class leading turning radius.



Compact stowed dimensions.

MANUFACTURED BY  
**UpRight**

# UpRight

USA (800) 926-5438, (209) 891-5200 FAX (209) 896-9012  
 1775 Park Street, Selma, CA 93662.  
 Europe (353) 1-202-4100 Fax (353) 1-202-4101  
 Pottery Road, Dun Laoire, Ireland.