

3 Tonne Electric Power Swivel

KEY FEATURES & BENEFITS - MACH3080



Electric
D R I V E

The Thwaites 3 Tonne Power Swivel, all electric dumper is manufactured with contractors and hirers in mind – ensuring operator safety, reducing risk on site and producing zero emissions. Four maintenance free, long-life, lithium-ion (dry-cell) batteries, operating at 48V, are fitted. The battery pack is rated at 22kWh, providing the power to drive the machine. Two highly efficient electric motors (one for traction, one for the hydraulic services) give the operator the control and manoeuvrability expected from a Thwaites dumper.

The additional Thwaites Electric machines available are:

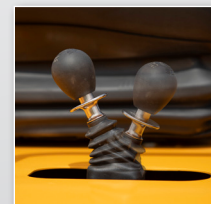
- › 3 Tonne Front Tip
- › 2 Tonne Hi Swivel

Critically, the battery pack will complete a hard 8-hour working day from a single charge. The standard on-board 3.0 kW battery charger can charge the pack in 8hrs (three-phase). Fast charger option in 2 hours.

Each dumper is supplied as standard with a Spring Activated Hydraulic Release (SAHR) Handbrake, ROPS frame, towing bracket, LED beacons, full LED road lights including daylight running lights and a reverse alarm.

Easy to service and maintain with market leading residuals.

Safe, compliant and competitive.



Thwaites

Thwaites Ltd, Leamington Spa,
Warwickshire, CV32 7NQ, England
Tel +44 (0)1926 422471

www.thwaitesdumpers.co.uk



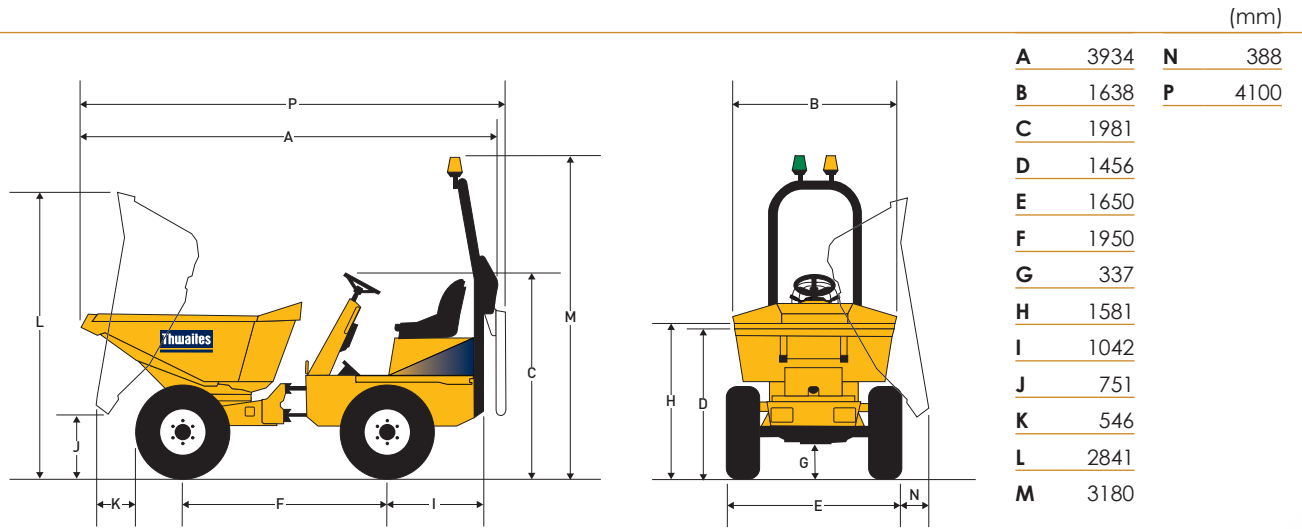
Snap this QR code
from your smart
phone for more
information



GET THE JOB DONE.

3 Tonne Electric Power Swivel

DIMENSIONS & SPECIFICATIONS - MACH3080



Weight	Unladen	2260 kg
	Shipping	2260 kg

Capacities	Max safe load	3000 kg
	Heaped	1640 litres
	Struck	1210 litres
	Water	990 litres

Power Source

- › High efficiency 48V / 22kW drive motor and 48V / 7kW pump motor
- › Four maintenance free lithium-ion dry cell batteries 48V at 5.75 kWh

Noise Levels

- › Operator's ear 84 LpA / airborne level 101 LwA

Transmission

- › Electric with high/low speed range, column mounted directional control lever

Speeds	Forward and Reverse	
	Low	0-8.0 km/h (3.8 mph)
	High	0-16.1 km/h (10.0 mph)

Tyres	295/80 - 15.3
	Load/Speed Index - 131 A6

Brakes and Axles

- › Totally enclosed multiplate oil-immersed discs mounted on rear axle & auto wear adjustment
- › Hand operated parking brake (SAHR)

Kinglink Chassis

- › Constructed from folded steel plate, with three point Kinglink giving articulation and oscillation for better stability, traction and safety on site

Skip

- › Hydraulically operated, 6 mm steel plate all round
- › Skip mouth & sides reinforced with box sections
- › Power Swivel skip enables a 180° rotation

Seating & Controls

- › Adjustable suspension seat with high-vis seat belt
- › LED warning lights for all critical functions

Service Access

- › Lockable engine cover for ground level service points
- › Hydraulic tank positioned low permitting easy access to the filler cap

Electrics

- › Wiring harness contained within conduits and all electrical components water resistant to IP65/67 standards.

Steering and Hydraulics

- › Hydraulic power steering
- › Return line filtration for all services
- › Hydraulic test point fitted as standard

Tank Capacities	Hydraulic	15.0 litres
-----------------	-----------	-------------

Turning Circle	9.2m
----------------	------

Standard Equipment

- › Full LED road lighting incl. DRL (Daylight Running Lights)
- › LED beacons
- › Towing bracket
- › Reverse alarm

Optional Equipment

- › Road mirrors
- › Wheel nut indicator

Thwaites

Thwaites Ltd. Leamington Spa,
Warwickshire, CV32 7NQ. England
Tel +44 (0)1926 422471

www.thwaitesdumpers.co.uk



Images are representative, but specific details or equipment may vary by country. We reserve the right to change any and all specifications without prior notice. 04/2024